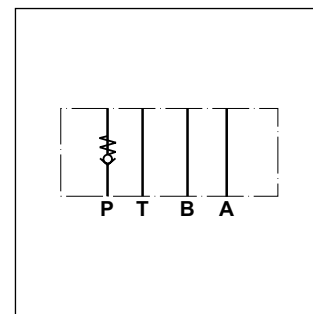


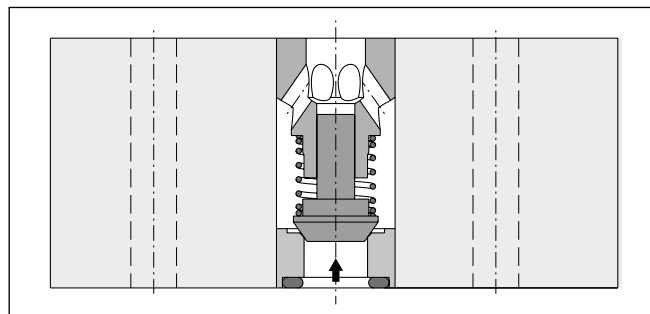
Check valves from the Parker series CM are in sandwich design for easy configuration of stack systems. Depending on the function required, one or two check valves are arranged in ports P, T, A, and B. Number and flow direction can be selected from the ordering code.

Features

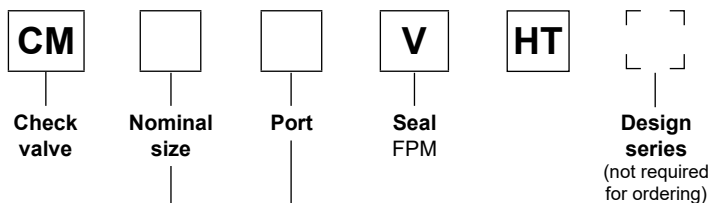
- The valve bodies of the Parker valve series CM are made of steel.
- Eight options for the arrangement of the check valve in the body offer a multitude of uses for hydraulic circuits.
- CM2 - NG06 (CETOP 03)
- CM3 - NG10 (CETOP 05)



CM3



Ordering code



Code	Nominal size
2	Intermediate plate DIN NG06
3	Intermediate plate DIN NG10

Code	Free flow polarity	Check valve in channel
AA	From directional valve to manifold	A
BB	From directional valve to manifold	B
DD	From directional valve to manifold	A and B
PP	From manifold to directional valve	P
PT	From manifold to directional valve	P and T
TT ¹⁾	From directional valve to manifold	T
AAF	From manifold to directional valve	A
BBF	From manifold to directional valve	B

¹⁾ For size Code 3: Check valve only in the T channel on the A side.

Technical Data / Performance Curves

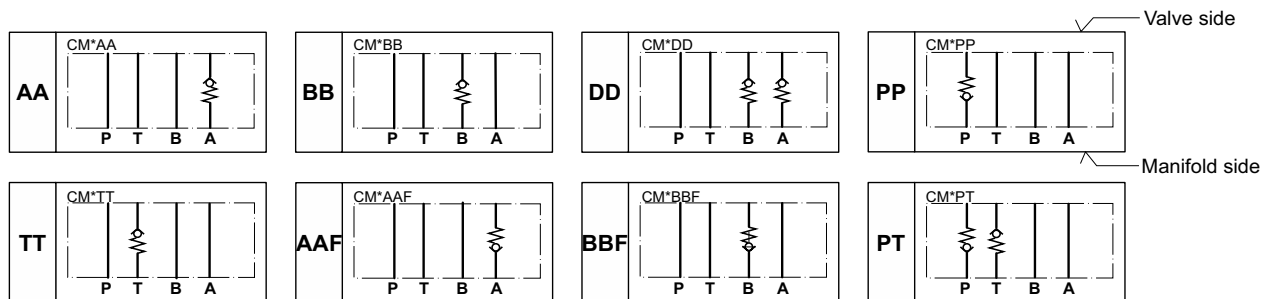
Technical data

General			
Series		CM2	CM3
Size		NG06	NG10
Mounting interface		DIN 24340 A6 ISO 4401 NFPA D03	DIN 24340 A10 ISO 4401 NFPA D05
Mounting position		unrestricted	
Ambient temperature	[°C]	-20...+70	
MTTF _D value	[years]	150	
Weight	[kg]	0.7	2.0
Hydraulic			
Max. operating pressure	[bar]	350	350
Max. flow	[l/min]	60	120
Opening pressure	[bar]	0.5	0.5
Fluid		Hydraulic oil according to DIN 51524	
Fluid temperature	[°C]	-20...+70	
Viscosity, permitted	[cSt] / [mm ² /s]	20...400	
Viscosity, recommended	[cSt] / [mm ² /s]	30...80	
Filtration		ISO 4406; 18/16/13	

Schematics

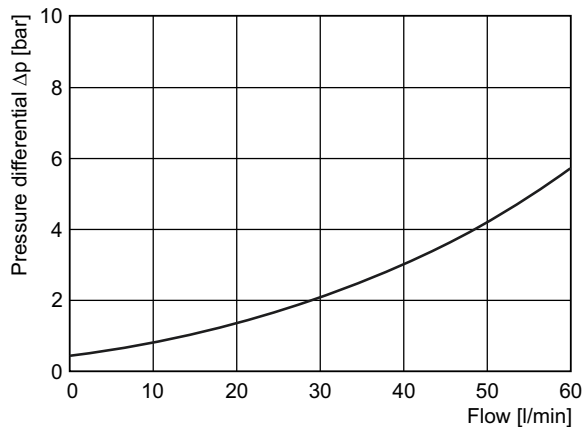
The valve side is shown at the top of the symbols, the manifold side with channel designation is shown at the bottom.

7

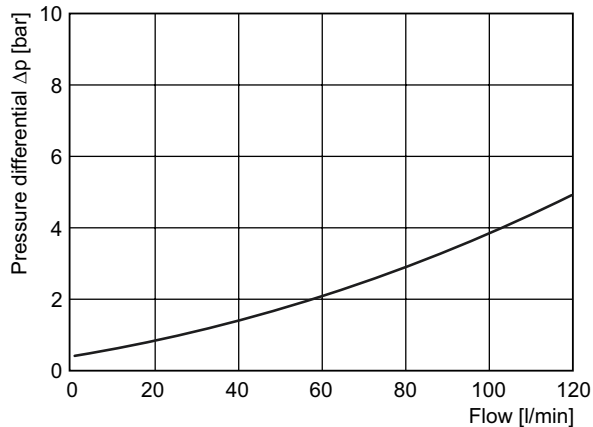


Δp/Q performance curves

CM2

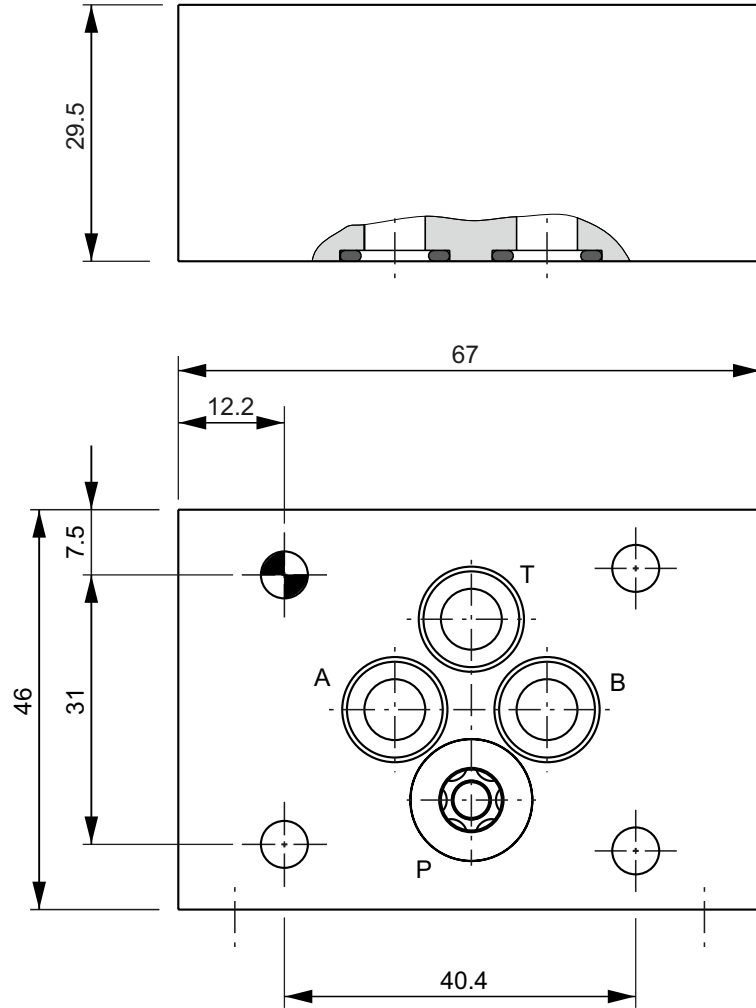


CM3



Measured with oil viscosity 33.0 mm²/s (cSt)

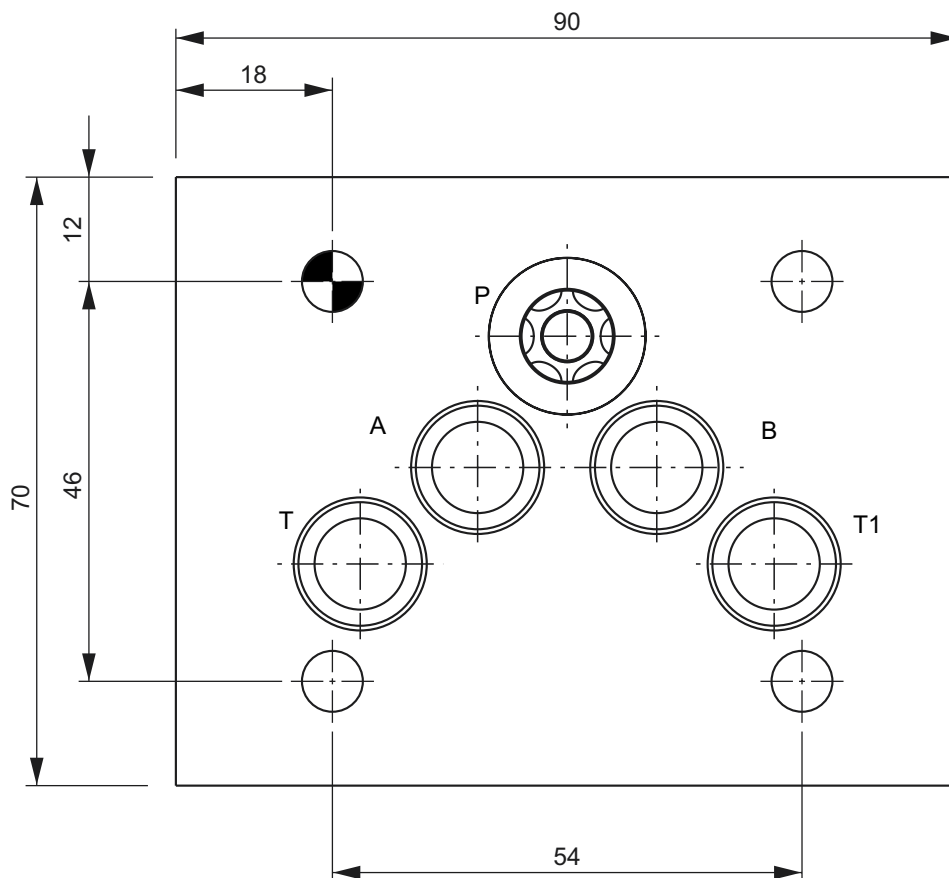
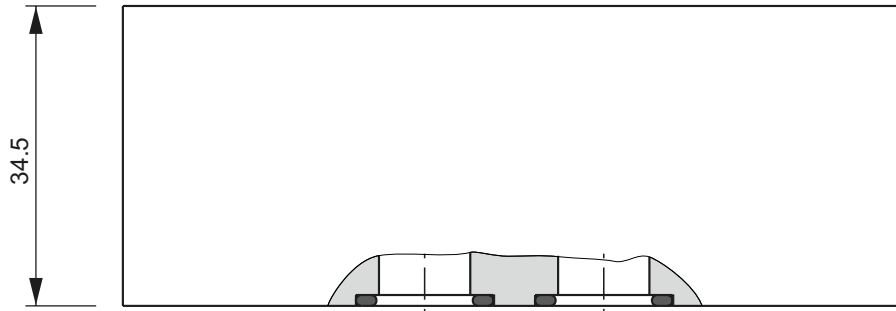
CM2



7

Seal kit CM2	
Seal	Order code
V	SK-CM2-V

CM3



7

Seal kit CM3	
Seal	Order code
V	SK-CM3-V