

# 3PS9D3NE01

PROCONNECT 3PS125 Socket Outlet, 3P+N+E, 150A (AC23 100A) 440V AC



<b>Component type</b>	Round socket/plug for high currents
<b>Range</b>	3PS
<b>Model</b>	N/A
<b>Product status</b>	Existing

Recognised as a leading provider of industrial plugs and sockets for mining, food processing, commercial, rail and marine industries, the 3PS isolating plugs and sockets from Proconnect are available in five sizes: 30A, 50A, 90A, 150A and 250A, tested against IEC 60309-1 standard. The isolating plugs and sockets eliminate the need for a switch and ensures power is safely available when required.

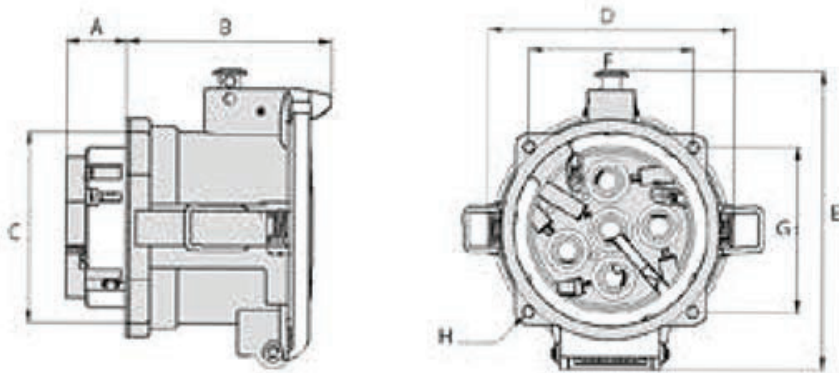
<b>ELECTRICAL</b>	Amperage	150 A
	Voltage	380-440 V
	Contact configuration	3P+N+E
<b>CONSTRUCTION</b>	Construction type	Outlet
	Material insulation body	Polyamide (PA)
	Contact material	Other
	Material screw	Stainless steel
	IP rating	IP66
	<b>MECHANICAL</b>	Nominal tightening torque
<b>DIMENSIONS</b>	Length	146 mm
	Weight	1.5 kg
<b>ENVIRONMENT</b>	Operating temperature	-30...60 °C

# 3PS9D3NE01

PROCONNECT 3PS125 Socket Outlet, 3P+N+E, 150A (AC23 100A) 440V AC



## DIMENSIONAL DIAGRAM



Series	A	B	C $\theta$	D	E	F	G	H $\theta$	Kg
3PS16	13	71	57	72	97.5	48	48	4.5	0.24
3PS32	16.5	77	69	82	107.5	55	55	4.5	0.38
3PS63	25	89.5	80	100	123.5	66	66	5.5	0.64
3PS125	24	122	99.5	129.2	145	81	81	6	1.50
3PS200	36	122	116	146	177	98	98	6.8	2.40

## RELATED PRODUCTS

### ACCESSORY



Item No: 3PS9G

Required: No

Description: PROCONNECT 3PS125 Handle - Straight, suits 22-39mm cable



Item No: 3PS9LB

Required: No

Description: PROCONNECT 3PS125 Incline Sleeve - Angled (60 degrees)



Item No: 3PS9PC

Required: No

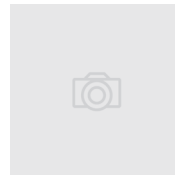
Description: PROCONNECT 3PS125 Appliance Inlet, Plug Cap



Item No: 3PS9WAS

Required: No

Description: PROCONNECT 3PS125 Wall Box - Angled (60 degrees), M50x1.5mm Entry



Item No: 3PSBFR

Required: No

Description: PROCONNECT 3PS125 Locking Levers